

# WAX MELTER

15 Litre / 4 Gallon

NZ/AU

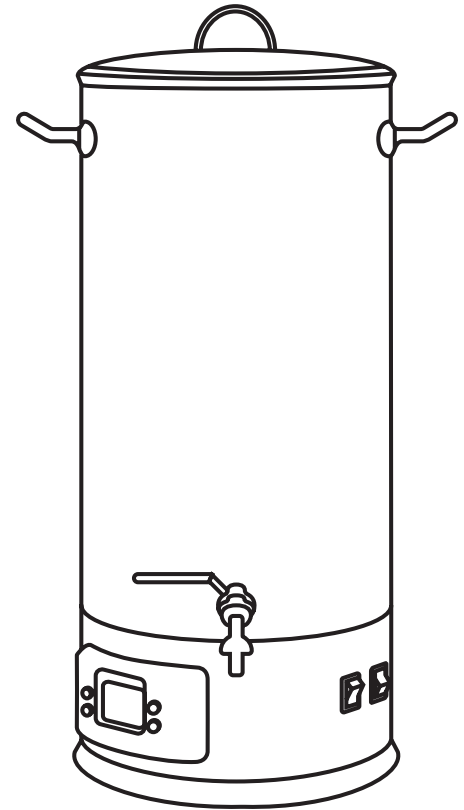
CMP-15-ANZ

240V 50/60hz with NZ/AU plug

USA

CMP-15-USA

110V 50/60hz with USA plug



User Manual

Chandler  
me





This Wax Melter has been designed for use with all types of waxes and oils commonly used in the manufacture of candles and soap. The unit features a fully integrated, digitally controlled, element with two power settings along with a fully programmable run timer and start time delay feature.

Tap Assembly Instructions	3
Main Features	4
Operating Instructions	5
Decanting Tips / Overheat Protection / Error Codes	6
Operating Parameters	7
How to change the default settings	8
Safety	9
Cleaning	10

**Please read these instructions carefully before use & save for future reference.**

# Tap Assembly Instructions

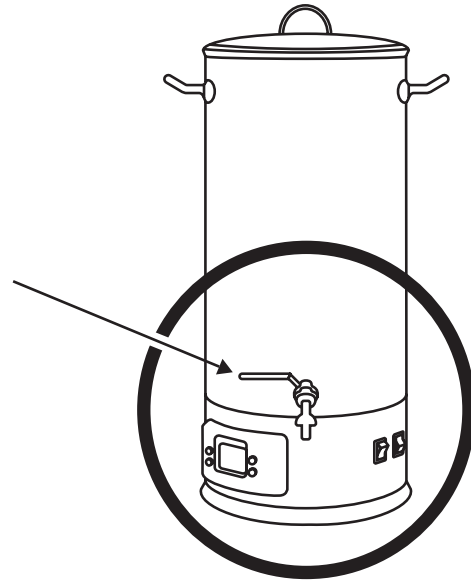
Before you use your wax melter you will need to assemble the tap handle. Simply follow the instructions below.

## You will need (Supplied):

- 1 x handle
- 1 x nut
- 1 x washer
- 1 x wrench

## Instructions:

1. Locate the parts from inside the packaging box.
2. Attach the handle to the tap (see diagram).
3. Use the wrench to fix the washer and nut to the tap.
4. Make sure the nut is tight to ensure handle is stable.



## Main Features

### 1 - Mains Power Switch

### 2 - Element Power Adjust Switch

600W: For ALL initial and small batch melts.

1600W: For harder waxes and larger batches.

### 3 - Reset Pin (Underneath melter)

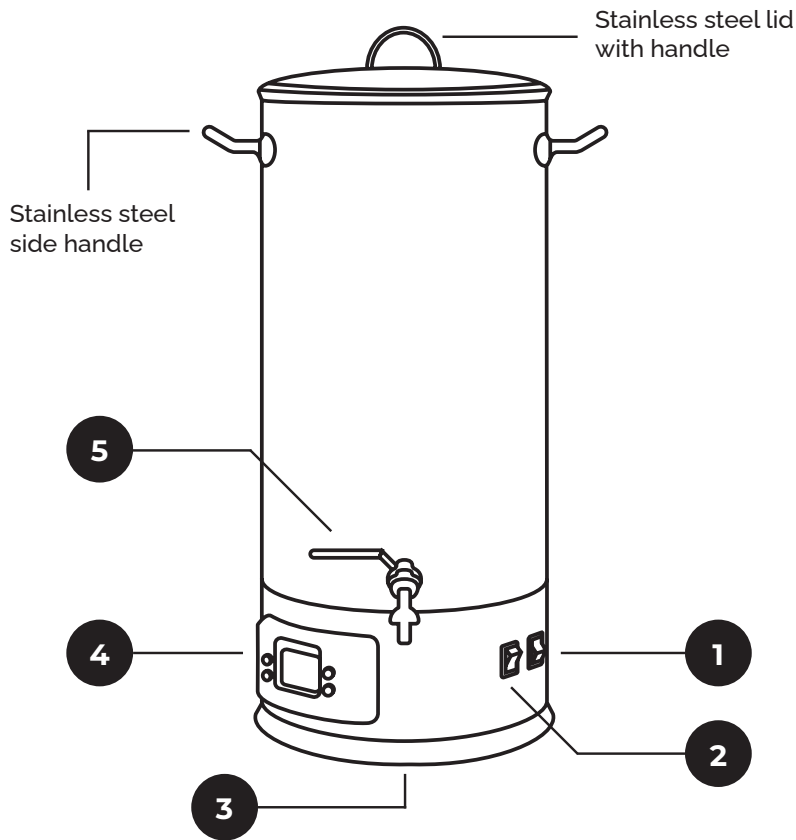
The melter features a dry heat protection system which can be reset using the Reset Pin underneath the melter.

### 4 - LCD Display

The programmable LCD display panel controls the temperature of the wax, and the start/run time.

### 5 - Stainless Steel Tap

Commercial grade stainless steel tap with 90 degree outlet and locking mechanism.



## Operating Instructions

1. Load your wax into the melter (you can use flakes, blocks, beads & liquid) and leave the lid off for the initial melt.
2. Set the element to 600W. Caution! Never use 1600W for your initial melt.
3. Quick Start: Turn on the mains power at the side of the unit then press "ON/OFF" on the LCD display. The default temperature and run time will be briefly displayed on the screen. If you do not press any buttons the default temperature and time is used for a quick start and your melt will begin in 5 seconds.  
The default quick start settings can be manually pre-set (refer to instructions on page 8).
  - Set target temperature: within 5 seconds of pressing the "ON/OFF" button press the +/- buttons to select your target temperature and then press the SET button.
  - Set run time: The "hour" digits will now be flashing, press the "+" or "-" buttons to adjust the hours and press SET. Next adjust the minutes and press SET. If you set this time to 00:00 then the unit will run indefinitely. The maximum setting is 24 hours.
  - Set delayed start time: The delay timer digits will now be flashing. Press "+" or "-" to adjust the time and press SET. Note that you can only set a delay by the hour. Leave this at 0:00 if you want the melt to start right away.
4. Manual start. You can manually enter the settings at the start of each melt as follows;
  - Pressing SET one last time will commence your melt using your chosen settings.

## Tips for Decanting

Open the tap gradually and fully to decant the melted wax into your mixing or pouring pot. When the wax level is low you can gently tip the tank toward you to drain the remaining wax through the tap. Alternatively, you can simply pick the unit up by placing one hand on a handle and the other under the plastic base and tip the remaining wax into your pot.

Any unused wax can be left in the melter to set and remelted when ready for your next batch. Always start on 600W.

Pro tip: When decanting melted wax from the melter into a pot prior to mixing or pouring set the target temperature a little higher to compensate for transfer heat loss.

## Dry & Overheat Cut-off Protection

The melter features a cut-off protection system which will cause the unit to switch off if the wax level is too low or if the temperature rises too quickly (such as when using high power mode with a small amount of wax).

## Error Codes

- E1** / **E2** Sensor short open / Short Circuit
- E3** Overheat
- E4** Dry Heat

To reset the unit after an E3 or E4 error unplug the cable from the wall and allow the contents to cool down to room temperature; then gently tip the melter on an angle and firmly push the RESET PIN underneath the melter.

For all other errors contact your supplier.

## Operating Parameters

Default temperature setting: 180°F / 82°C

Programmable Temperature range: 86°F – 212°F / 30°C – 100°C

Minimum recommended dry wax weight: 11 lb / 5kg

Maximum volume (melted wax): 4 gallons / 15 litres

Delayed start timer default setting: 00:00 (no delay)  
Delayed start time programmable range: 1 to 24 hours

Runtime default setting: 4 hours  
Runtime programmable range: 0 – 24 hours

Dry heat safety cut off temperature: 374°F / 190°C



## Change the Default Settings & F/C Display

- With the unit in standby mode (mains switch "On" and LCD Panel Switch "Off") press and hold the "set" button for 10 seconds until the LCD display lights up.
- Press the + or – buttons to toggle between F and C and then press the "set" button to confirm your selection.
- Next use the +/- buttons again to select your default temperature and press the set button to confirm.
- Now use the +/- buttons again to select your desired run time hours and press the set button to confirm.
- Finally press the +/- buttons again to select your run time minutes.

## Caution! High Heat Mode 1600W

The melter has two power settings, 600W and 1600W. For most Soy and vegetable waxes you will only require the 600W mode however for larger batches and harder waxes you may want to use the 1600W mode.

Only use this mode once the initial melt is complete and the tank is more than half full of melted wax. Using the 1600W setting with small amounts of wax can cause a sharp rise in temperature that can damage your wax and activate the overheat cut out switch.

# Safety

This appliance is not intended for use by persons with a lack of experience and knowledge, unless they have been given supervision or instruction concerning use of the appliance by a person responsible for their safety.

- Children should be supervised to ensure that they do not play with the appliance.
- This appliance should not be left unattended during operation.
- When not in use the tap must be closed and the locking mechanism in place.
- The appliance should be operated on a flat stable surface, NEVER on an incline.
- Do not move the melter when it is in use.
- Be aware that the walls of the melter can be hot when in operation and could cause burns.
- If the supply cord is damaged, it must be replaced by the manufacturer, its service agent or similar qualified persons in order to avoid a hazard.
- This appliance contains a manual reset thermal cutout. It also contains a thermal fuse. The thermal fuse must be replaced by an authorized agent to avoid a hazard.
- Appliance not intended to be immersed for cleaning.

**Tap handle lock:** The tap has a safety lock to prevent accidental opening. Always ensure that the tap is fully closed and the lock is engaged after each use.

## Cleaning

Clean your melter after use with a weak solution of dishwashing liquid and flush through the tap.

The tap fittings can be removed for through cleaning.

Scrub the inside with a nylon brush or similar. Wipe down the outside with a damp cloth. Do not immerse in water.



Exclusive Distributors

New Zealand

[www.candlecreations.co.nz](http://www.candlecreations.co.nz)

USA

[www.candlescience.com](http://www.candlescience.com)

Wax Meltear

USA: CMP-15-US | NZ/AU: CMP-15-ANZ